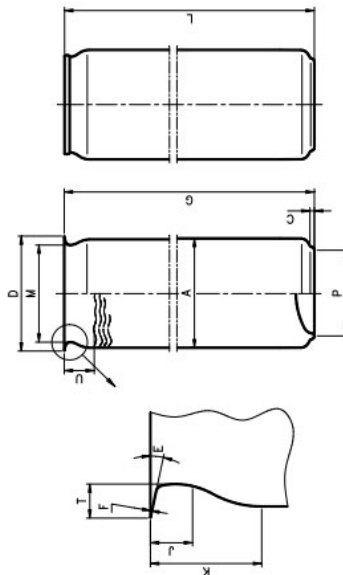


Drawing 200ml Slim Can Wine



Code	Character	Dimensions
<small>In mm, unless mentioned otherwise.</small>		
		200 ml (202/200/200)
A	Outside body diameter	53.4 max.
C	Nesting height	2.3 nom.
D	Flange diameter	55.0 max.
E	Flange angle	12° max.
F	Flange thickness (with lacquer)	0.15 nom.
G	Empty can height	111.2 ±0.3
J	Neck seaming clearance	3.0 min.
K	Overall neck height	8 ±1
L	Seamed can height	111.2 ±0.4
M	Neck plug diameter	50.0 ±0.3
P	Stand diameter	46.1 max.
T	Flange width	2.10 ±0.25
U	Freeboard	14.1 ±0.5
-	Column strength	1000 N min.
-	Internal pressure resistance	6.2 bar min. (90 PSI)
-	Nominal finished can weight	9.2 ± 0.6 g



CUSTOMER INFORMATION

ARDAGH METAL PACKAGING RESERVE THE RIGHT TO CHANGE SPECIFICATIONS

CODE Nr: 04 5 1 53 200 1 02 EDITION/DATE: 9 / 23-11-08

Beverage Can Aluminium
200 ml (e63/e60/e60) - slim can - wine

Can specifications

Page 1 of 1

Document ID: S8.0.6.REF029

Issue date: 12/09/2024

Version: 1

Uncontrolled when printed or disseminated in any other way

[Link to Storage Location](#)

Page 1 of 2

Drawing 200ml Slim Can Wine



DOCUMENT REVIEW RECORD

Date Reviewed	Version Reviewed	Reason	Changes Made	By Whom	New Version No.	Approved
12/09/24	DRAFT	New document required	New Document created	J.Carreira	1	Reidenbach