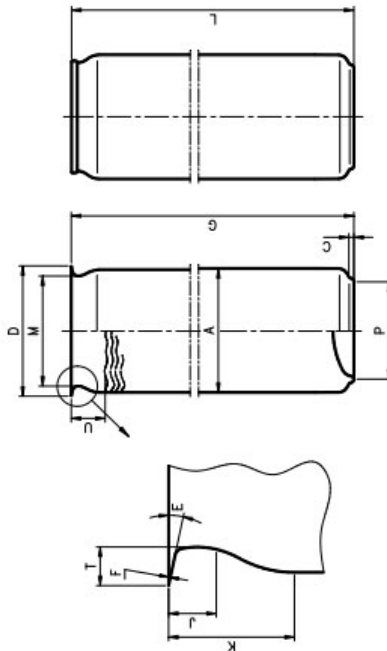


Drawing 250ml Slim Can



Code	Character	Dimensions
<i>In mm, unless mentioned otherwise.</i>		
250 ml (202/200/200)		
A	Outside body diameter	53.4 max.
C	Nesting height	2.3 nom.
D	Flange diameter	55.0 max.
E	Flange angle	12° max.
F	Flange thickness (with lacquer)	0.15 nom.
G	Empty can height	134.0 ±0.3
J	Neck seaming clearance	3.0 min.
K	Overall neck height	8 ±1
L	Seamed can height	134.0 ±0.4
M	Neck plug diameter	50.0 ±0.3
P	Stand diameter	46.1 max.
T	Flange width	2.10 ±0.25
U	Freeboard	14.1 ±0.5
-	Column strength	675 N min.
-	Internal pressure resistance	6.2 bar min. (90 PSI)
-	Nominal finished can weight	8.1 ± 0.6 g



ARDAGH METAL PACKAGING RESERVE THE RIGHT TO CHANGE SPECIFICATIONS

CODE Nr: 04 5 1 53 250 1 01 EDITION/DATE: 15 / 23-11-08

Beverage Can Aluminium
250 ml (e53/e50/e50) - slim can

CUSTOMER INFORMATION

Can specifications

Page 1 of 1

