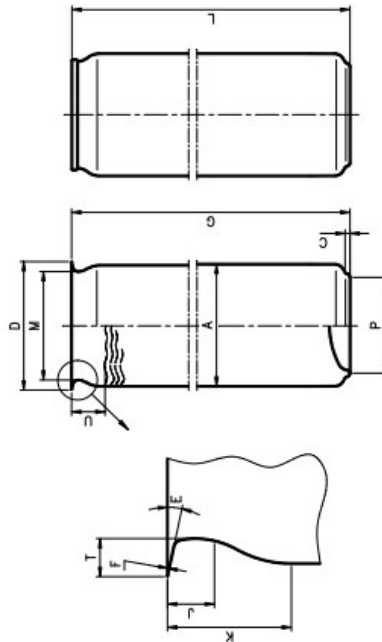


Drawing 250ml Slim Can Wine



Code	Character	Dimensions	In mm, unless mentioned otherwise.
250 ml (202/200/200)			
A	Outside body diameter		53.4 max.
C	Nesting height		2.3 nom.
D	Flange diameter		55.0 max.
E	Flange angle		12° max.
F	Flange thickness (with lacquer)		0.15 nom.
G	Empty can height		134.0 ±0.3
J	Neck seaming clearance		3.0 min.
K	Overall neck height		8 ±1
L	Seamed can height		134.0 ±0.4
M	Neck plug diameter		50.0 ±0.3
P	Stand diameter		46.1 max.
T	Flange width		2.10 ±0.25
U	Freeboard		14.1 ±0.5
-	Column strength		1000 N min.
-	Internal pressure resistance		6.2 bar min. (90 PSI)
-	Nominal finished can weight		9.4 ± 0.6 g



ARDAGH METAL PACKAGING RESERVE THE RIGHT TO CHANGE SPECIFICATIONS	
CODE No: 04 5 1 53 250 1 04	EDITION/DATE: 8 / 23-11-08
CUSTOMER INFORMATION	
Beverage Can-Aluminium	Can specifications
250 ml (e53/e50/e50) - slim can - wine	Page 1 of 1

Document ID: S8.0.6.REF031	Issue date: 12/09/2024	Version: 1
Uncontrolled when printed or disseminated in any other way	Link to Storage Location	Page 1 of 2

