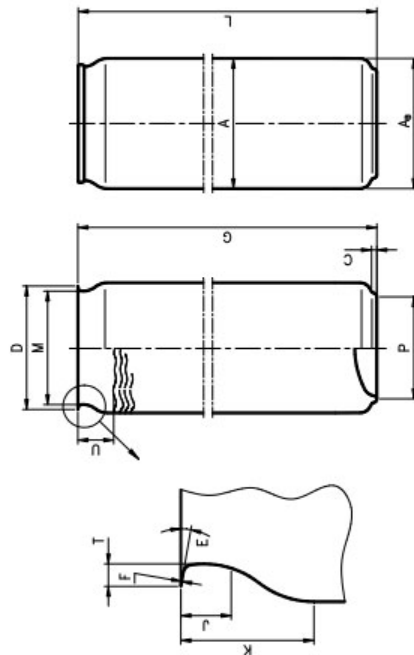


# Drawing Can 440ml



Code	Character	Dimensions
In mm, unless mentioned otherwise.		
<b>440 ml (211/202/202)</b>		
A	Outside body diameter	66.3 max.
A <sub>b</sub>	Outside can bottom diameter	66.6 max.
C	Nesting height	2.5 nom.
D	Flange diameter	57.5 max.
E	Flange angle	12° max.
F	Flange thickness (with lacquer)	0.160 nom.
G	Empty can height	149.9 ±0.3
J	Neck seaming clearance	3.0 min.
K	Overall neck height	20 ±1
L	Seamed can height	149.9 ±0.4
M	Neck plug diameter	52.4 ±0.3
P	Stand diameter	48.3 max.
T	Flange width	2.13 ±0.25
U	Freeboard	14.0 ±0.5
-	Column strength	675 N min.
-	Internal pressure resistance	6.2 bar min. (90 PSI)
-	Nominal finished can weight	11.4 ±0.8 g



<b>CUSTOMER INFORMATION</b>	
ARDAGH METAL PACKAGING RESERVE THE RIGHT TO CHANGE SPECIFICATIONS CODE Nr: 04 5 1 86 440 1 05 Beverage Can Aluminium 440 ml (e66/e62/e62)	Can specifications Page 1 of 1 EDITION/DATE: 6 / 23-11-08

Document ID: S8.0.6.REF033	Issue date: 12/09/2024	Version: 1
Uncontrolled when printed or disseminated in any other way	<a href="#">Link to Storage Location</a>	Page 1 of 2

