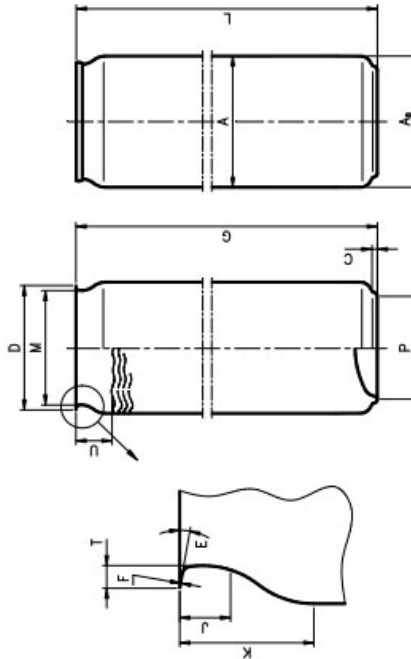


Drawing Can 500ml



Code	Character	Dimensions
500 ml (211/202/202)		
A	Outside body diameter	66.3 max.
A _B	Outside can bottom diameter	66.6 max.
C	Nesting height	2.5 nom.
D	Flange diameter	57.5 max.
E	Flange angle	12° max.
F	Flange thickness (with lacquer)	0.160 nom.
G	Empty can height	168.0 ±0.3
J	Neck seaming clearance	3.0 min.
K	Overall neck height	20 ±1
L	Seamed can height	168.0 ±0.4
M	Neck plug diameter	52.4 ±0.3
P	Stand diameter	48.3 max.
T	Flange width	2.13 ±0.25
U	Freeboard	14.0 ±0.5
-	Column strength	675 N min.
-	Internal pressure resistance	6.2 bar min. (90 PSI)
-	Nominal finished can weight	12.4 ±0.8 g



ARDAGH METAL PACKAGING RESERVE THE RIGHT TO CHANGE SPECIFICATIONS	
CODE Nr: 04 5 1 66 500 1 06	EDITION/DATE: 8 / 23-11-08
Beverage Can Aluminium 500 ml (e66/e52/e52)	
CUSTOMER INFORMATION	
Can specifications Page 1 of 1	

