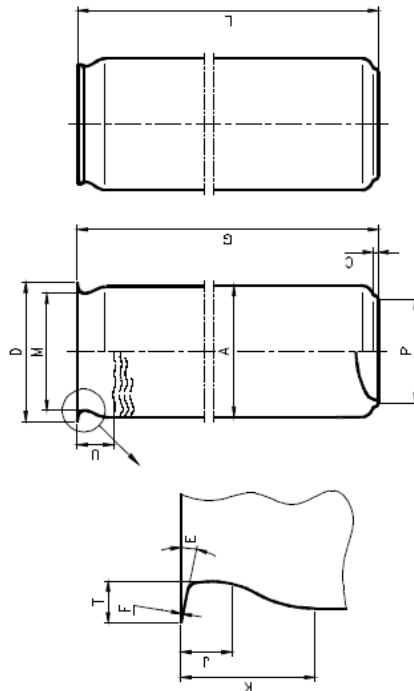


Drawing 330ml Sleek Can - 200



Code	Character	Dimensions	In mm, unless mentioned otherwise.
330 ml (206.5/200/200)			
A	Outside body diameter		58.1 max.
C	Nesting height		3.7 nom.
D	Flange diameter		55.0 max.
E	Flange angle		12° max.
F	Flange thickness (with lacquer)		0.160 nom.
G	Finished can height		145.4 ±0.3
J	Neck seaming clearance		3.0 min.
K	Overall neck height		13.2 nom.
L	Seamed can height		145.4 ±0.4
M	Neck plug diameter		50.0 ±0.3
P	Stand diameter		46.0 max.
T	Flange width		2.08 ±0.25
U	Freeboard		12.6 ±0.5
-	Column strength		675 N min.
-	Internal pressure resistance		6.2 bar min. (90 PSI)
-	Nominal finished can weight		9.6 ±0.6 g



ARDAGH METAL PACKAGING RESERVE THE RIGHT TO CHANGE SPECIFICATIONS

CODE N°: 04 5 1 58 330 1 05

EDITION/DATE: 1 / 24-03-12

Beverage Can Aluminium
330 ml (ø58/ø50/ø50) - sleek can

CUSTOMER INFORMATION

Can specifications

Page 1 of 1

Document ID: S8.0.6.REF038

Issue date: 08/11/2024

Version: 1

Uncontrolled when printed or disseminated in any other way

[Link to Storage Location](#)

Page 1 of 2

